

Driver: **Kit Setup** Date: \_\_\_\_\_ Event/Track: \_\_\_\_\_  
 Qualify: \_\_\_\_\_ Final: \_\_\_\_\_ Best Lap: \_\_\_\_\_

**TRACK TYPE**

Grip Level  High  Medium  Low

Type  Tight  Open  Mixed

Condition  Flat  Bumpy  Mixed

Surface  Clay  Long Astro  Carpet   
 Grass  Short Astro  Mixed

Weather \_\_\_\_\_

**TYRES**

FRONT REAR

Tyres \_\_\_\_\_

Wheels **Kit** **Kit**

Inserts \_\_\_\_\_

Notes: \_\_\_\_\_

Notes: \_\_\_\_\_

**FRONT SUSPENSION**

Ride Height  19 mm

Wheelbase  0  +1.5  +3.0  +4.5

Toe  1.0 deg In  Out

Camber at Ride Height  -1.0 deg

Anti Roll Bar  0.9  1.0  1.1  1.2

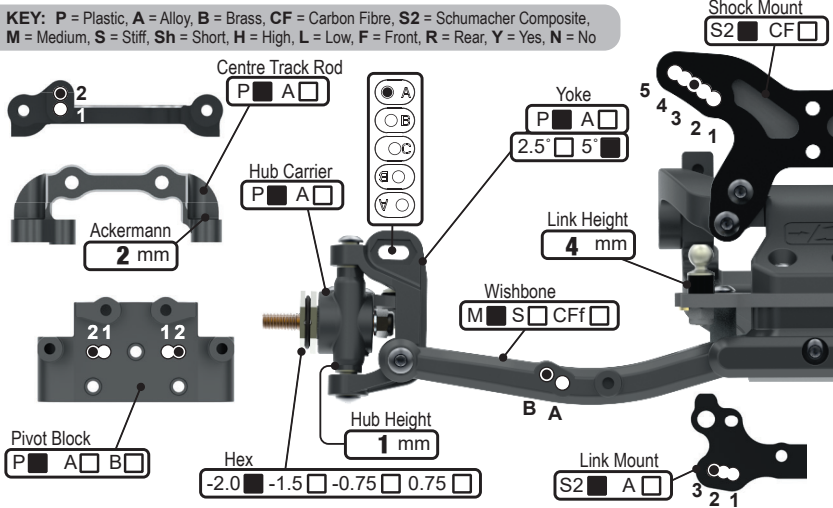
Front Wing  Y  N

Bump Steer Washers  1.0 mm

Pivot Block Height  H  M  L

Steering Arm  Kit  A  B  C

Notes: \_\_\_\_\_



**REAR SUSPENSION**

Ride Height  19 mm

Wheelbase  0  +2  +4  +6

Anti-Squat  1°  2°  3°  4°

Toe  4°  3.5°  3°  2.5°  2°  1.5°  1.0°  0.5°

Camber at Ride Height  -1.5 deg

Anti Roll Bar  1.0  1.1  1.2  1.3  1.4

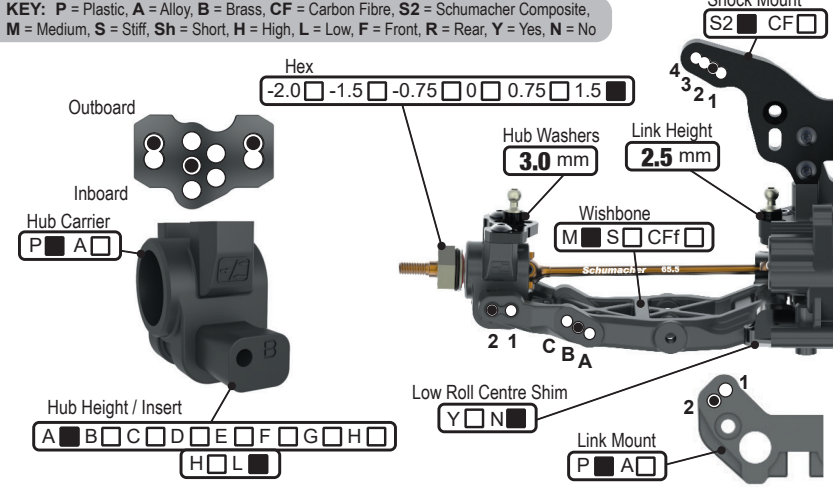
Wing Gurney Height  STD mm

Rearward Shock Position  Y  N

Driveshaft Type  CVD  U/J

Gearbox Type  Laydown  Layback

Notes: \_\_\_\_\_



**TRANSMISSION**

B = Ball, 2g = 2 Gear, 4g = 4 Gear

Diff Height  H  M  L

Diff Oil  12,000 cSt

Diff Type  B  2g  4g

Motor \_\_\_\_\_

Rotor Dia. \_\_\_\_\_ mm

Timing \_\_\_\_\_ deg

Pinion \_\_\_\_\_ t

Spur  80 t

Motor Plate  A  CF

Lock Out  Y  N

Slipper Plates  2  3

**CHASSIS**

Chassis  A  C/F

Chassis Insert  0mm  +5mm

LiPo Position  1  2  3  4  5  6  7  8

X Brace  Y  N

Running Weight  9

Radio Tray  1  2  3

Notes: \_\_\_\_\_

**EQUIPMENT**

E.S.C. \_\_\_\_\_

Servo \_\_\_\_\_

RX \_\_\_\_\_

LiPo \_\_\_\_\_

Bodyshell **Kit**

**WEIGHTS**

Chassis  F  R

Rear Strap  F  R

Radio Tray  Y  N

Under LiPo  Y  N

**SHOCKS**

KEY: i = Internal, e = External, V = Vented, S = Sealed, A = Aeration

FRONT REAR

Cap  V  S  A   V  S  A

Body **Kit** **Kit**

Oil  550 cSt  400 cSt

Piston  1.6 x 2  1.8 x 2

Spring  Black 4.0 lb/in  Green 2.2 lb/in

Limiters (i)  0 mm  0 mm

Stroke  22 mm  28.5 mm

Limiters (e)  0 mm  0 mm

Notes: \_\_\_\_\_